

PacNOG IV

Port Vila, Vanuatu

Telecom Fiji Limited



30th June, 2008

IP CORE



Motivation

- ▶ Demand for higher bandwidth greater than an E1 that cannot be provided by the current DDN

- ▶ Guarantee Quality of Service (QOS)

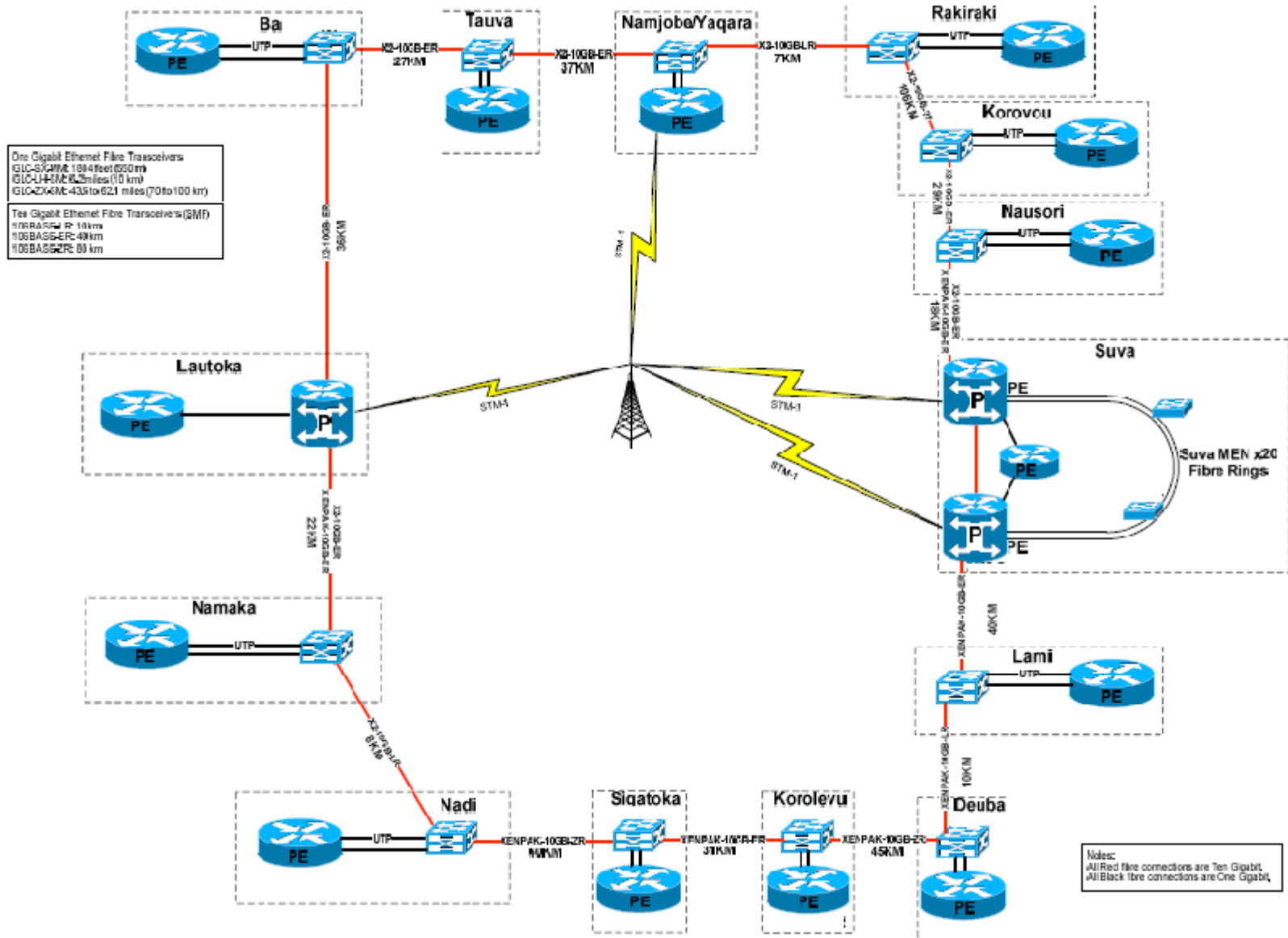
- ▶ Enabling Technology i.e. allows customers to use the network for various applications:
 - voice
 - video
 - high speed data

Motivation (Cont'd)



- ▶ TFL internal network use, for example:
 - backhauling IP based systems such as DSLAMs
 - Anticipation of the NGN which requires IP interfaces
 - preparation for future networks that are increasingly IP based instead of previous TDM interfaces

High Level Design





Design Criteria

- ▶ CORE equipment will be MPLS enabled due to the requirements for QOS
- ▶ EDGE equipment will be MPLS enabled depending on customer requirements

Thank You